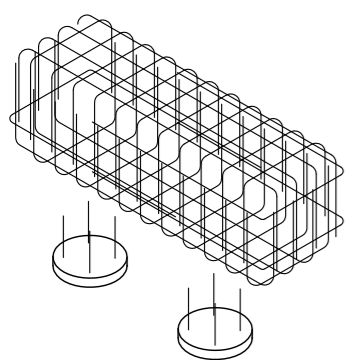
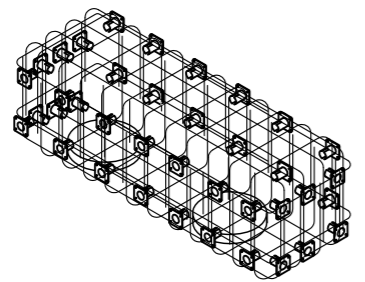
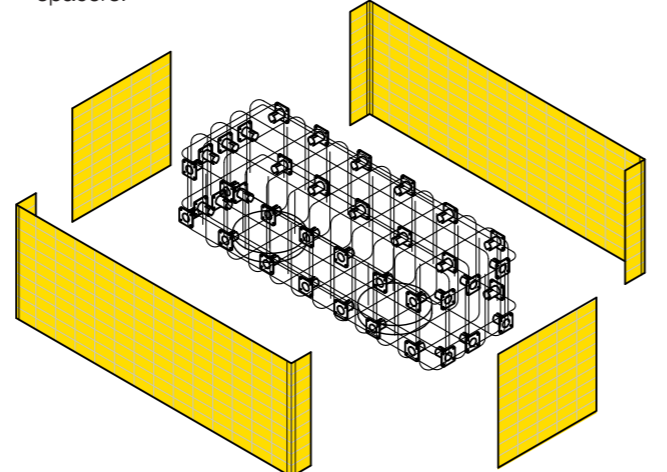
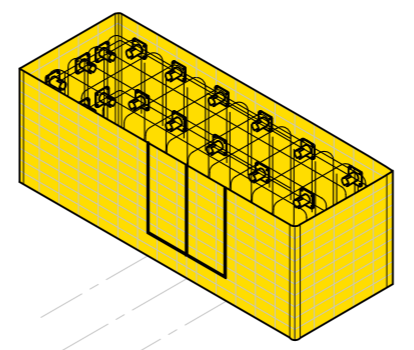
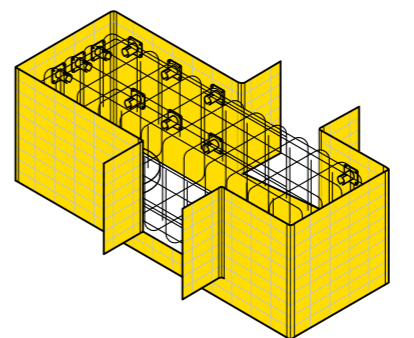
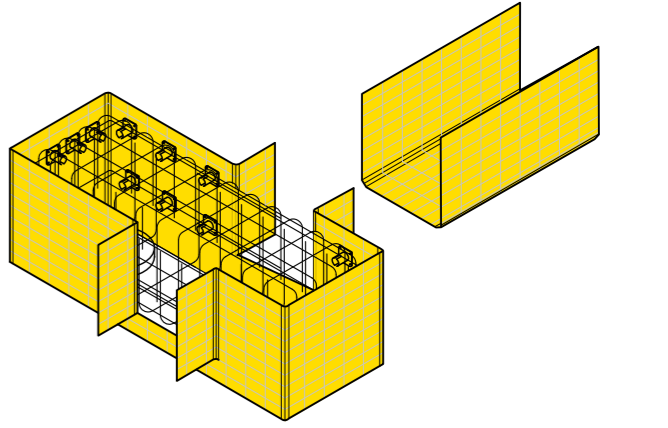


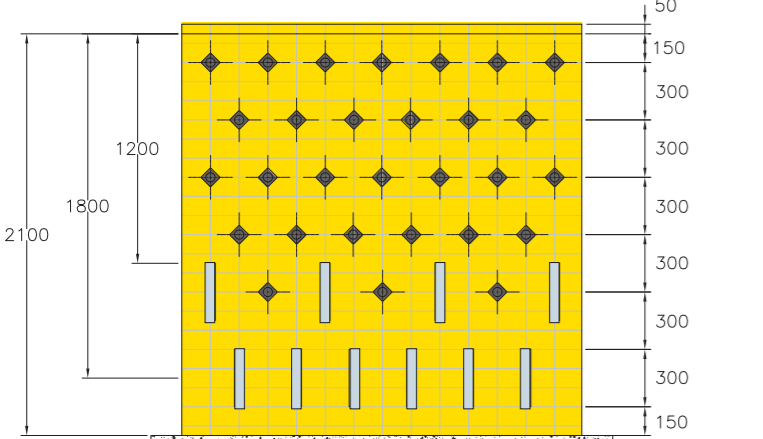
Pecafil® formwork site installation guide – pile caps and bases: practical hints and tips

Pile cap or base assembly – step by step guide Fixing the pile caps and beams this way allows easy access to fix continuity bars through one side of the cap or base.

<p>1. Position pile cap cage to line and level.</p>  <p>Piles cut down and area blinded.</p>	<p>2. Fix spacers to establish and maintain specified concrete cover. Fix sufficient spacers to avoid unit deflection under load from loose backfill.</p>  <p>Check concrete cover. Fix Pecafil® plastic side spacers.</p>	<p>3. Using the Pecafil® schedule, sent with the load, identify the marked units for the cap and base and place against the spacers.</p>  <p>All Pecafil® units marked as schedule, for simple and rapid assembly.</p>	<p>4. Mark the beam outline on the side of the cap or base assembly, as drawn, ready to form openings for beams.</p>  <p>Use straight edge and marker allow additional 25mm width so beam units fit inside 'doors'.</p>	<p>5. Cut down centre line and across soffit line of beam. Form 'inverted T' fold out 'doors', ready to accept the Pecafil® beam units.</p>  <p>Leave top wire intact and cut alternate wires at 'door' hinge point. This helps to give a tight bend and makes the folding easier. The 'doors' act as the grout seal. Spacers may be removed at door openings.</p>	<p>6. Select preformed Pecafil® beam units and place inside the prepared open 'doors'. No taping or tying of joints is required.</p> 
------------------------------------------------------------------------------------------------------------------------------------------------------------------------------	-------------------------------------------------------------------------------------------------------------------------------------------------------------------------------------------------------------------------------------------------------------------------------------------------------------	----------------------------------------------------------------------------------------------------------------------------------------------------------------------------------------------------------------------------------------------------------------------------------------------------------	------------------------------------------------------------------------------------------------------------------------------------------------------------------------------------------------------------------------------------------------------------------------------------------------------------	-------------------------------------------------------------------------------------------------------------------------------------------------------------------------------------------------------------------------------------------------------------------------------------------------------------------------------------------------------------------------------------------------------------------------------------------------------	--------------------------------------------------------------------------------------------------------------------------------------------------------------------------------------------------------------------------

Typical spacer arrangement – will vary by depth of cap/ base and ground conditions.

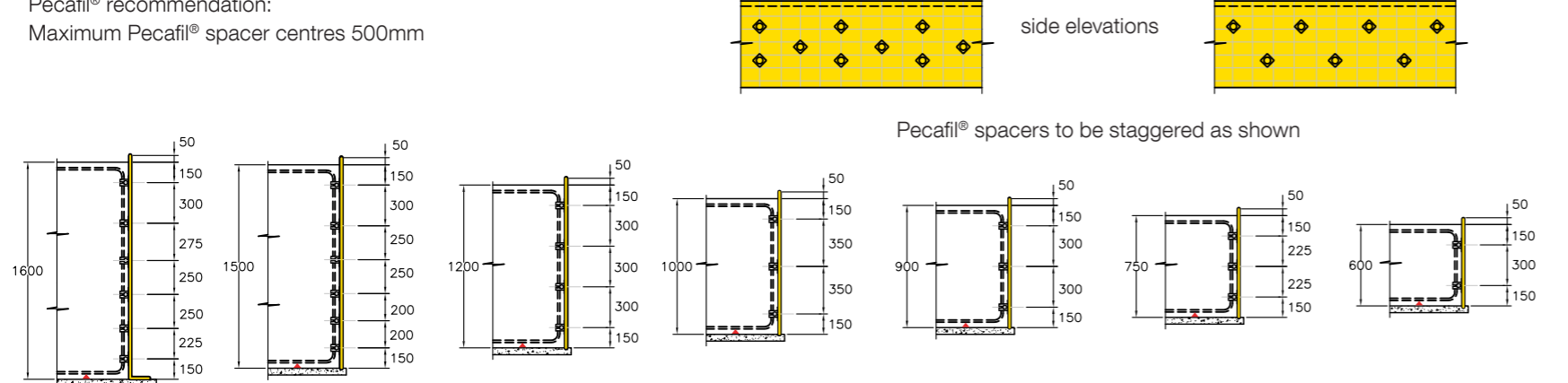
Spacer centres to be adjusted as required to maintain specified concrete cover. Spacers to be staggered, as shown where practical.



Pecafil® recommendation:
We recommend all pile caps/bases deeper than 1650mm should be constructed with Pecafil® VR8 material. Pecafil® VR8 has larger diameter vertical wires which are more capable of resisting the mass of backfill material for deep caps/bases. Additional strength can be derived from the use of "L" section units. The fold at the base of the assembly will provide more rigidity and ability to resist the mass of backfill at depth. It will also be possible to pin the units to the sub-base for additional stability if required.

Typical spacer arrangements

Pecafil® recommendation:
Maximum Pecafil® spacer centres 500mm

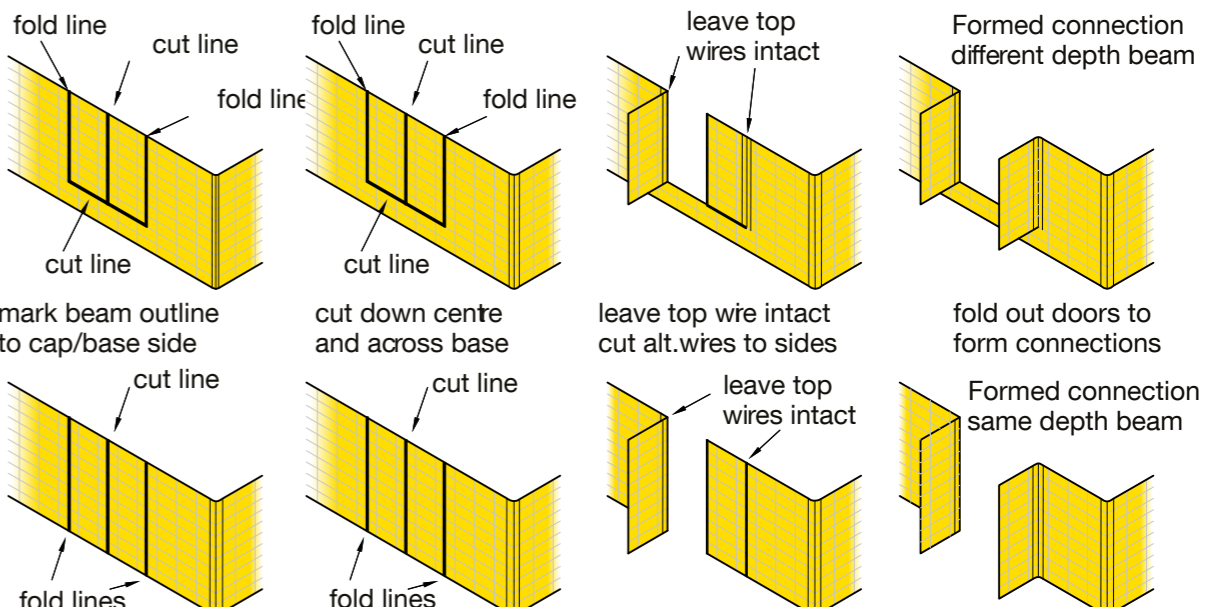


side elevations

Pecafil® spacers to be staggered as shown

Forming pile cap openings – for beam connections: allow +25mm to beam width.

1. Use pen and straight edge to mark beam outline on pile cap assembly. Take craft knife and cut down centre line and across base line of beam only. Use bolt crops to cut all wires at centre and base lines of beam.
2. At line of beam sides, to form opening door hinge, leave top wire intact, cut alternate horizontal wires on both sides of beam width opening down to the beam base lane, or base of unit for same depth cap/base and beams.
3. Fold out beam connection doors as shown, to accept beam units.

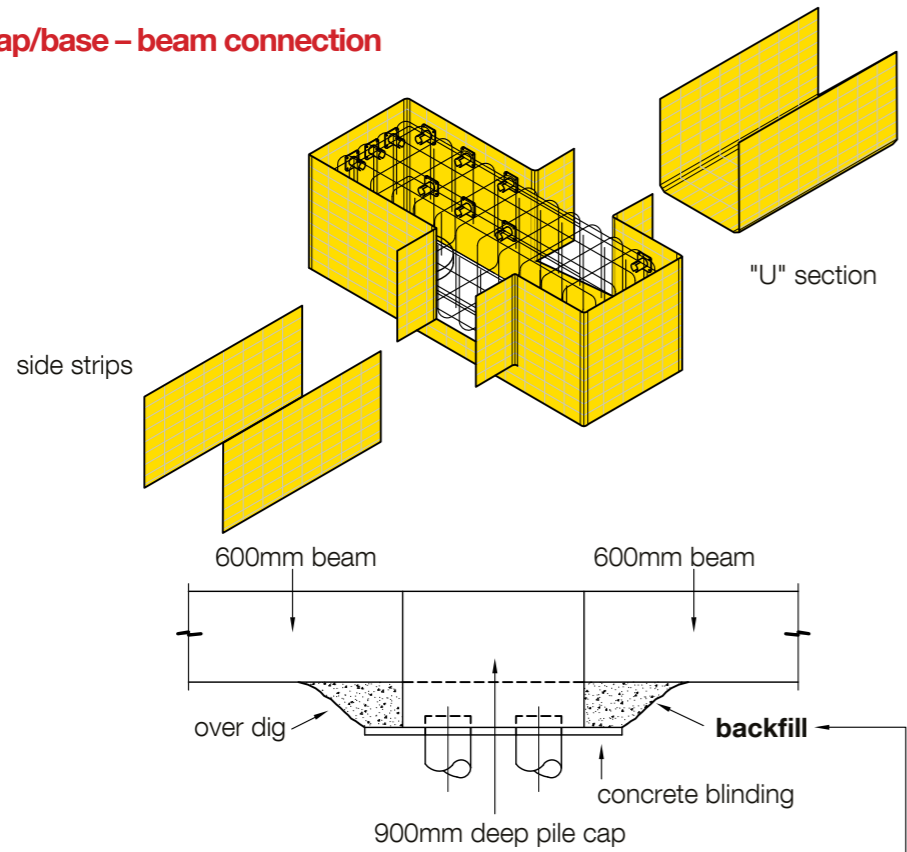


fold line, cut line, fold line, cut line, fold line, cut line, leave top wires intact, Formed connection different depth beam, mark beam outline to cap/base side, cut down centre and across base, leave top wire intact cut alt.wires to sides, fold out doors to form connections, Formed connection same depth beam, fold lines, fold lines, leave top wires intact, leave top wires intact

Installation – PPE and tools

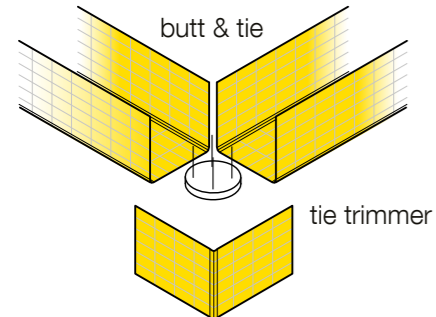
- | | |
|---------------------------------------------------------------------------------------------------------------------------|-----------------------------------------------------------------------------------------------------------------------------------------|
| <p>Recommended PPE
Eye protection:
Safety spectacles or goggles
Hand protection:
Rigger gloves</p> | <p>Recommended tools
Waterproof marker pen
Retractable blade craft knife
Measuring tape
Bolt cutters (600mm)</p> |
|---------------------------------------------------------------------------------------------------------------------------|-----------------------------------------------------------------------------------------------------------------------------------------|

Recommended cap/base – beam connection

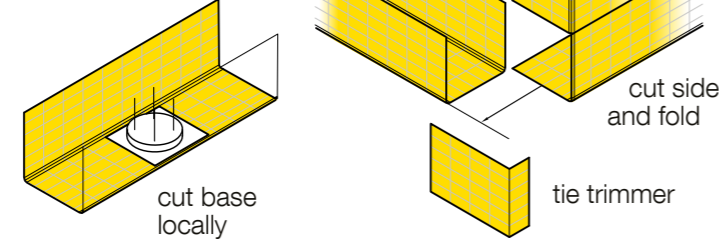


Once the Pecafil® units are in position around the pile cap cage, and the doors in the cap unit assembly are open to accept the beam rebar cage, we suggest loose backfill is placed evenly around the base of the cap/base assembly up to the underside of the beams. This will give stability

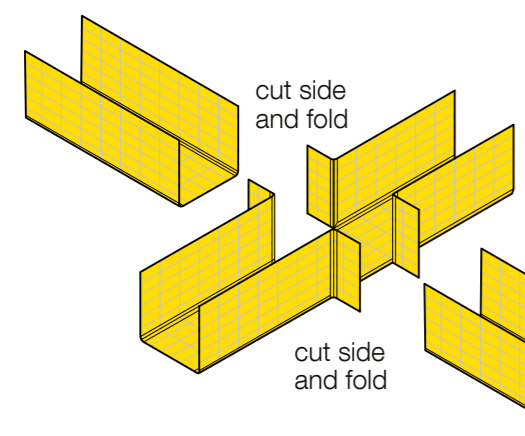
External corner with pile



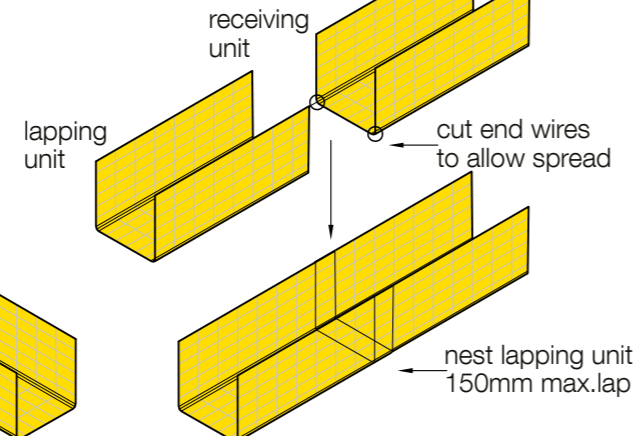
External corner, no pile



Typical beam intersection

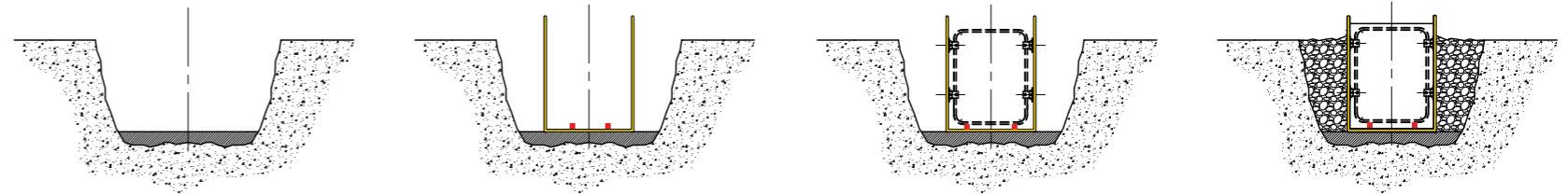


Typical beam overlap



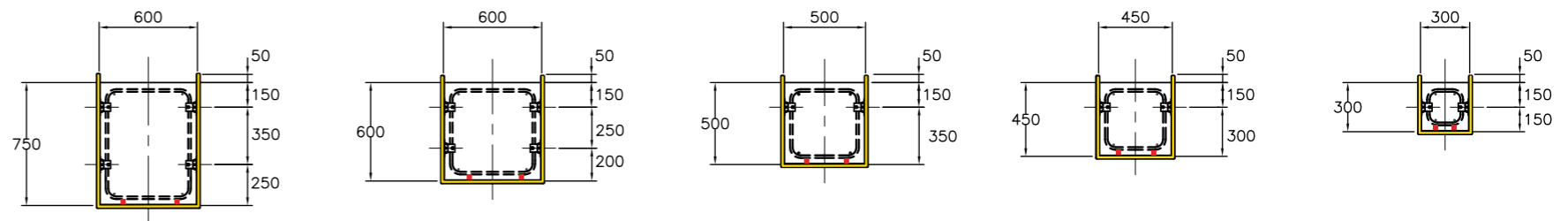
U" section beam unit installation - Recommended construction sequence for r.c. ground beams

1. Pull trench & trim base with building sand.
2. Place "U" section units and MAX FRANK fibre concrete triangular bar spacers, installed longitudinally & staggered in 330mm long pieces.
3. Place rebar cage into beam units. Fix Pecafil® plastic side spacers to reinforcement cage above ground.
4. Check line and level of beam. Place loose backfill within 50mm of finished concrete level. Keep foot traffic and vehicles well clear of foundations under construction.



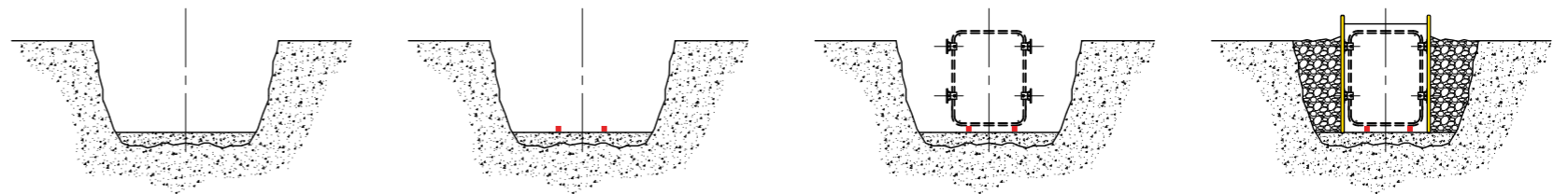
All paired beam links must be securely tied to avoid potential "trombone slide" effect under load from backfill.

Typical "U" section beam spacer arrangement - Recommended spacers: MAX FRANK fibre concrete triangular bar spacers



Side strip beam installation - Recommended construction sequence for r.c. ground beams

1. Pull trench and place concrete blinding.
2. Position fibre concrete triangular bar spacers.
3. Fix beam rebar cage to line and level. Fix Pecafil® plastic side spacers to reinforcement cage above ground.
4. Apply Pecafil® side strip units against spacers. Place loose backfill within 50mm of finished concrete level. Keep foot traffic and vehicles well clear of foundations under construction.



Typical side strip beam spacer arrangement - Pecafil® plastic side spacers

